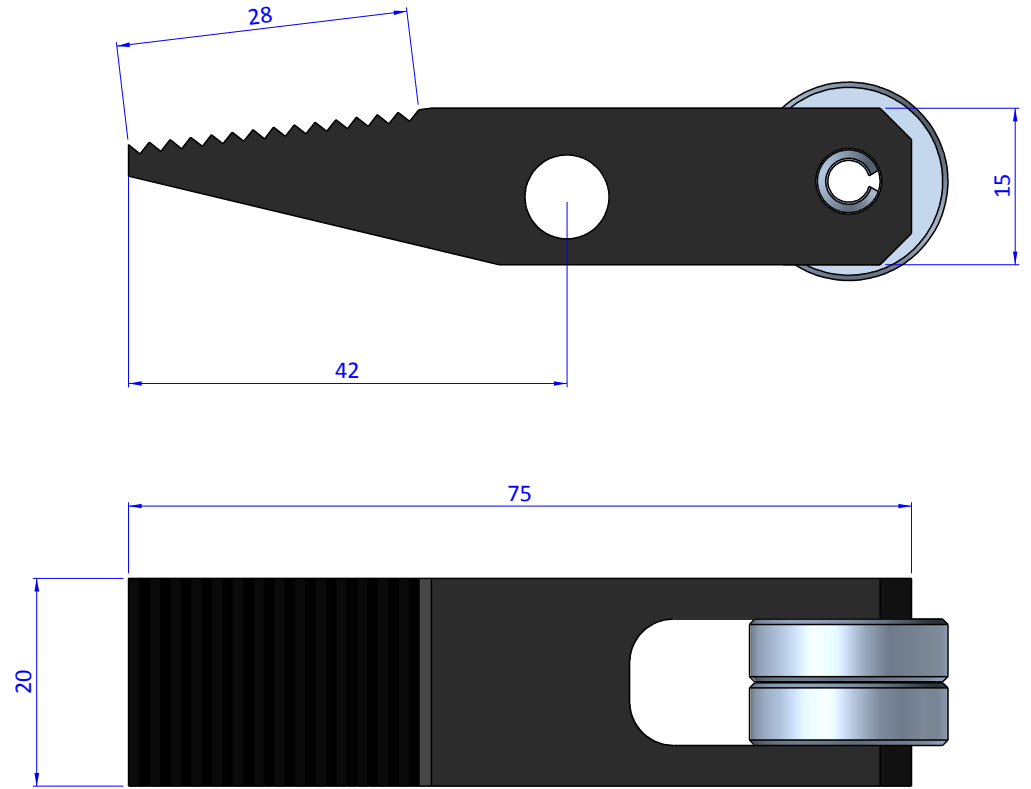
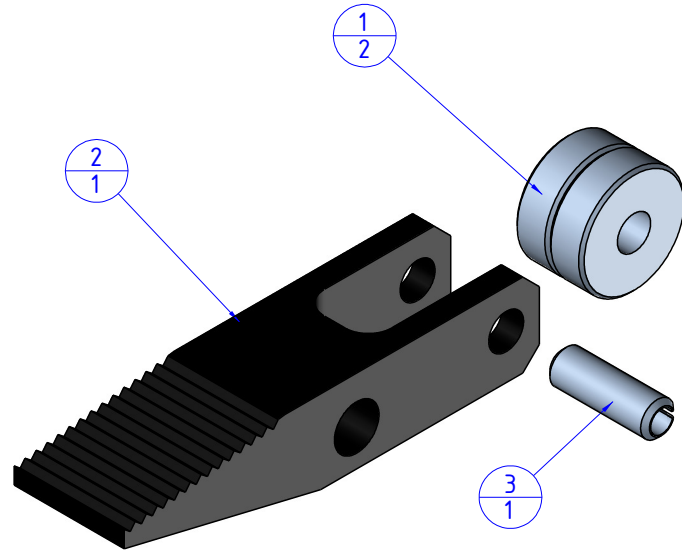



THE PROPERTY OF THE DRAWING IS ESTABLISHED BY LAW. IT IS FORBIDDEN TO PRODUCE OR SHOW IT TO THIRD PARTY, WITHOUT A WRITTEN AGREEMENT.

Item	Name	Qty.
1	CUS.626Z	2
2	GZ.3225.02	1
3	SPE.6X18	1



Format A3

UNI 936-76

 FPS SERVICES AUTOMATION		DESIGNED FROM		REVIEW
		FPS Automation		A
GENERAL TOLERANCE		DATE	WEIGHT	
UNI - ISO 2768		28/05/2018	0,058kg	
CLASSE f	DESCRIPTION	CODE		
	CA.GZ.32.FINGER	CA.GZ.32.FINGER		